

# BUTTERFLY VALVE | FLANGED | DOUBLE ECCENTRIC | HFP-A75

## APPLICATION

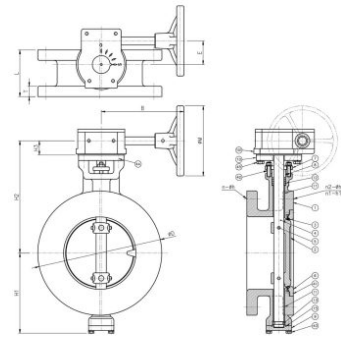
High-Performance Flange type Teflon Seat Butterfly Valves are without drill. Can be drilled as above flange connections.

## MATERIAL SPECIFICATION

**BODY** : A351 CF8  
**DISC** : A351 CF8  
**STEM** : 17-4PHS  
**SEAT** : P287

## TECHNICAL SPECIFICATION

**MODEL** : HFP-A75  
**CONNECTION** : JIS 10K & JIS 16K & JIS 20K & DIN PN16 & DIN PN25 & DIN PN40



## DIMENSION TABLE

SIZE		d	L	H	H1	H2	H3	STEM				TOP FLANGE			WEIGHT (KG)	
INCH	MM							D	KEY SIZE	SQUARE		TYPE	N	M		N-Z
				SQ	H4											
3"	80	80	48	262,5	100	145	17,5	X	X	14	17,5	F07	70	90	4-9	30
4"	100	100	54	311,5	124	170	17,5	X	X	14	17,5	F07	70	90	4-9	40
5"	125	125	57	346,5	144	185	17,5	X	X	14	17,5	F07	70	90	4-9	45
6"	150	150	57	371,5	150	203	18,5	X	X	17	18,5	F10	102	125	4-12	50
8"	200	200	64	449,5	186	239	24,5	X	X	22	24,5	F10	102	125	4-12	85
10"	250	250	71	539,5	240	275	24,5	X	X	27	24,5	F10	102	125	4-12	120
12"	300	300	81	588	251	307	30	X	X	27	30	F12	125	140	4-12	60
14"	350	350	91	661	294	337	30	X	X	36	30	F12	125	140	4-12	100
16"	400	400	102	730	332	368	30	X	X	46	30	F14	140	175	4-18	155



### VALVE TURKIYE

+90 232 616 17 19  
 valves@adamarine.com

### VALVE EUROPE

+31 180 22 4000  
 valves.nl@adamarine.com

### VALVE ASIA

+86 186 2606 6553  
 valves.ch@adamarine.com